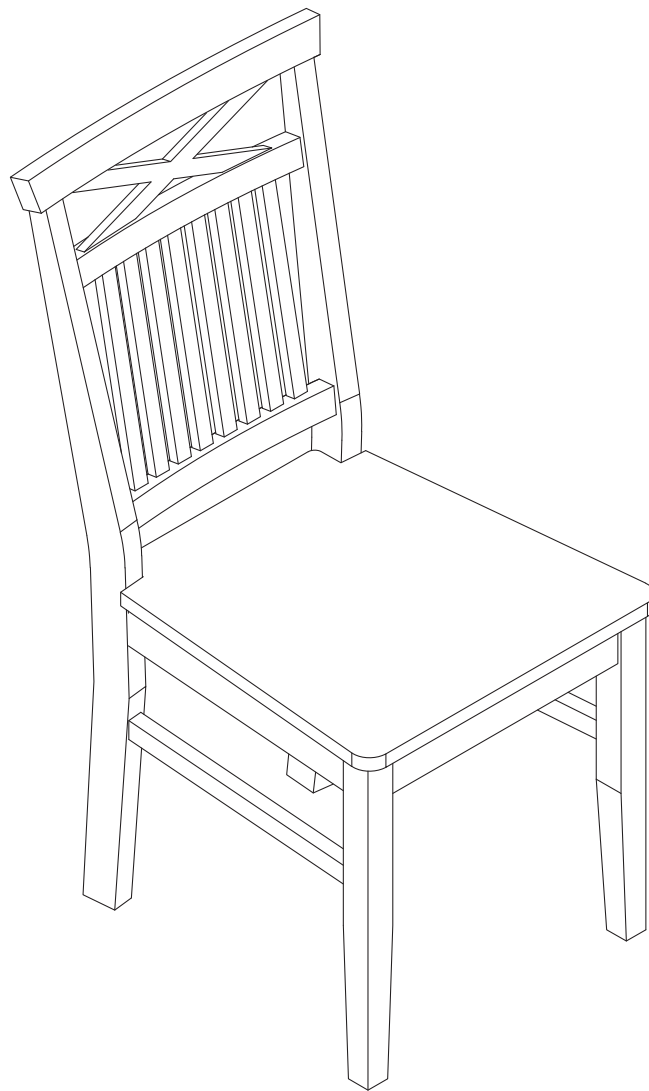
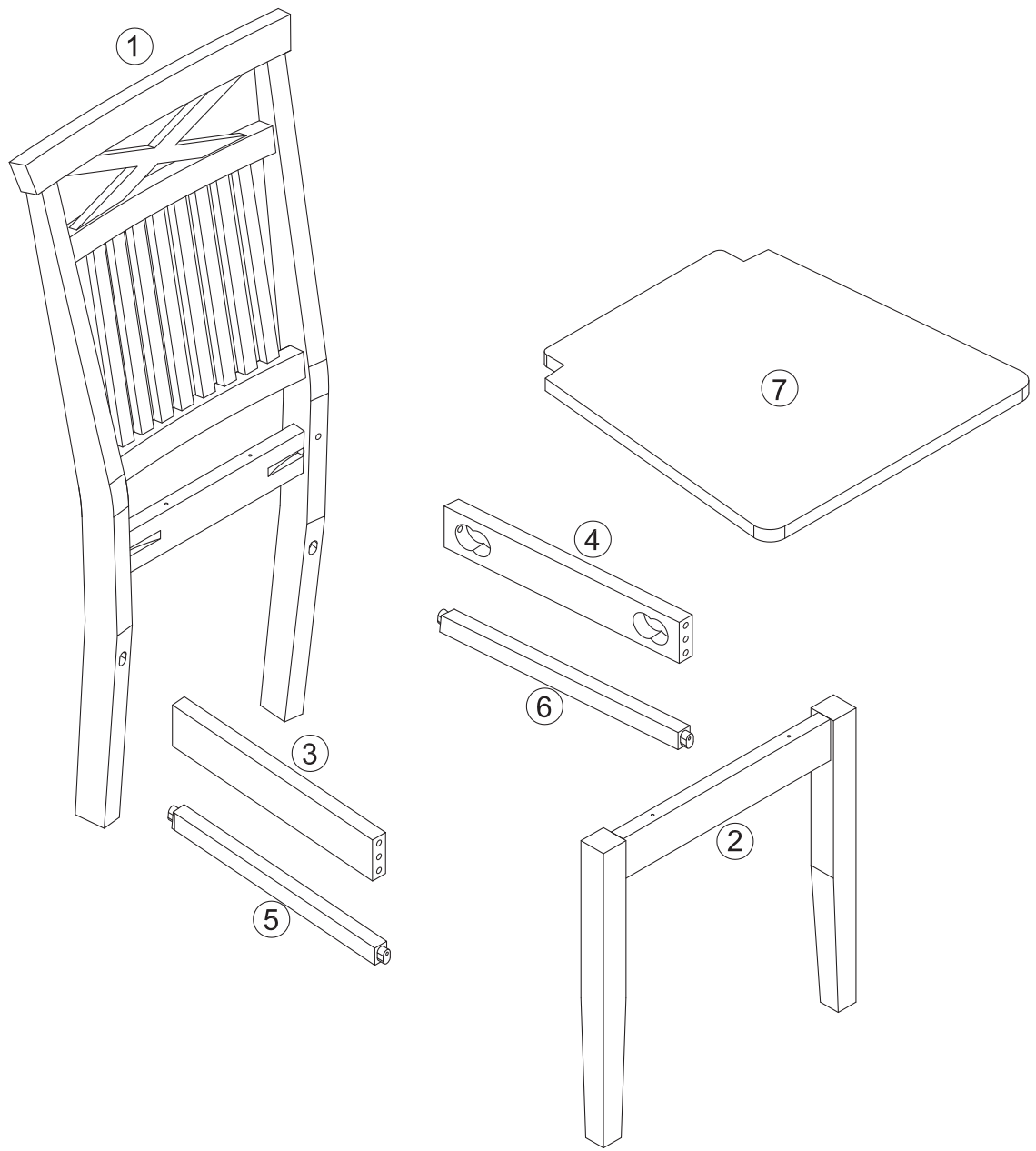




# Dining Chair white

TR34583



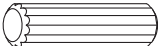



Ax4 

Ex4 

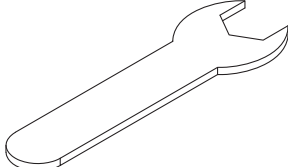
Bx4 

Fx4 

Cx8 

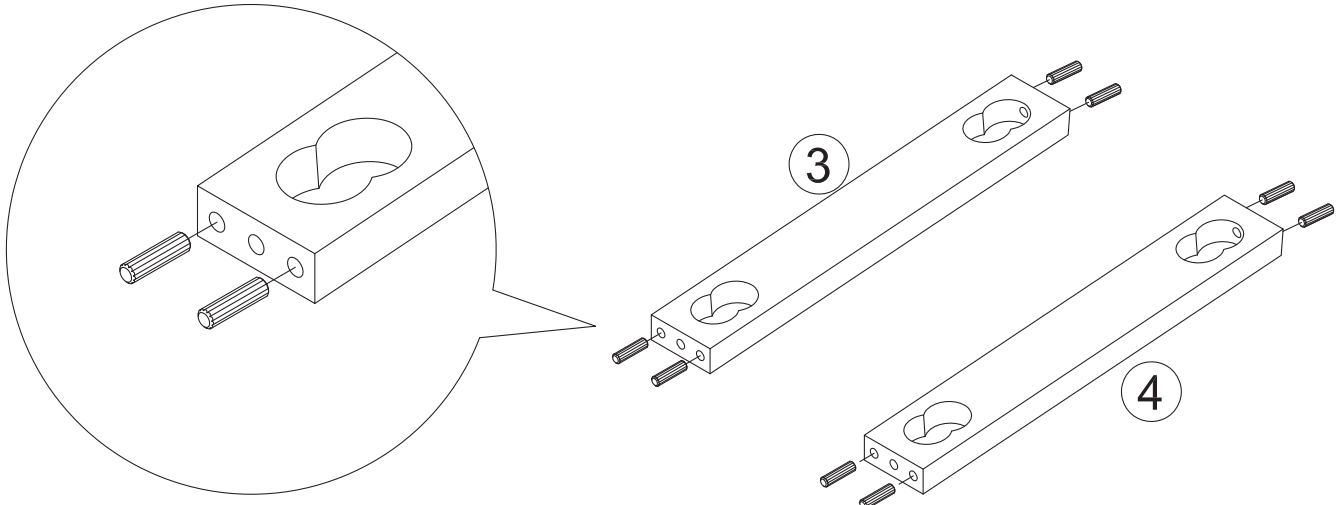
Gx4 

Dx8 

Hx1 

# 1

Cx8

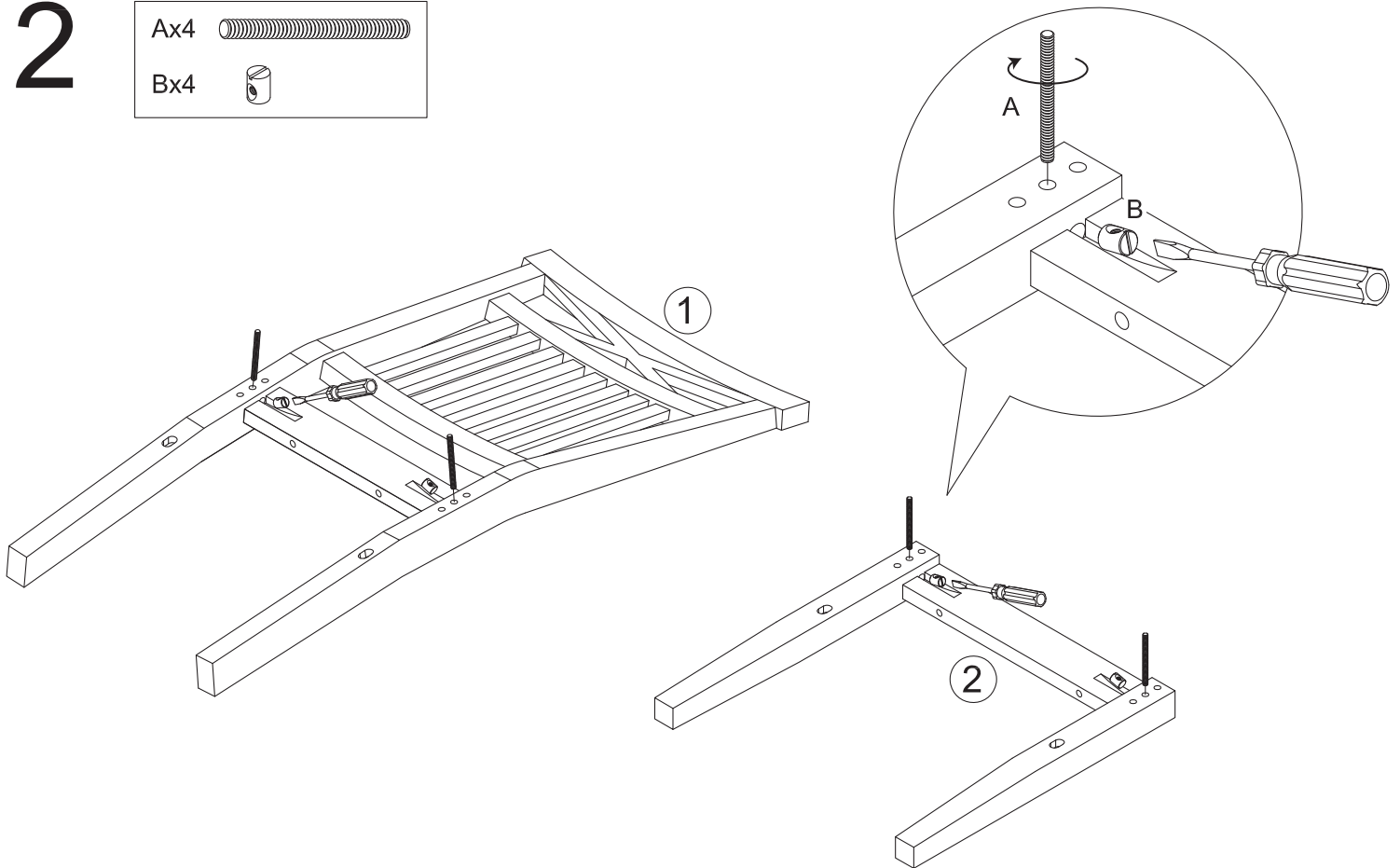


# 2

Ax4



Bx4

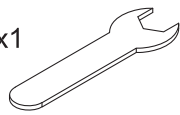


# 3

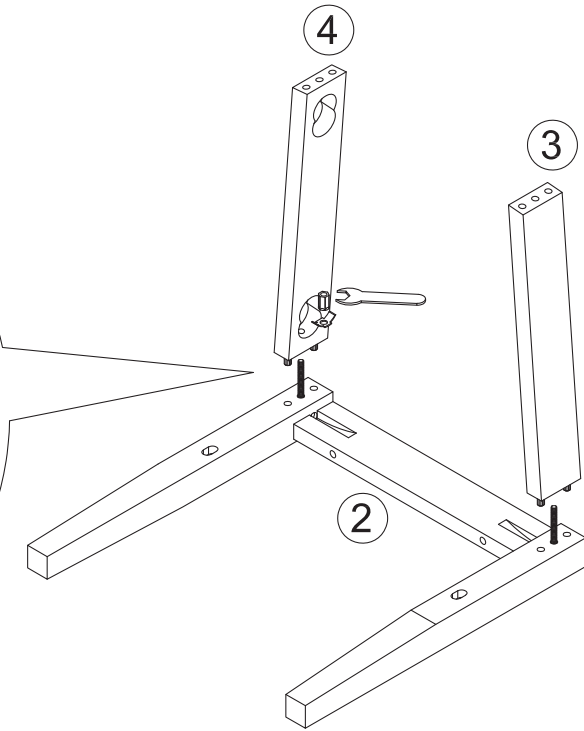
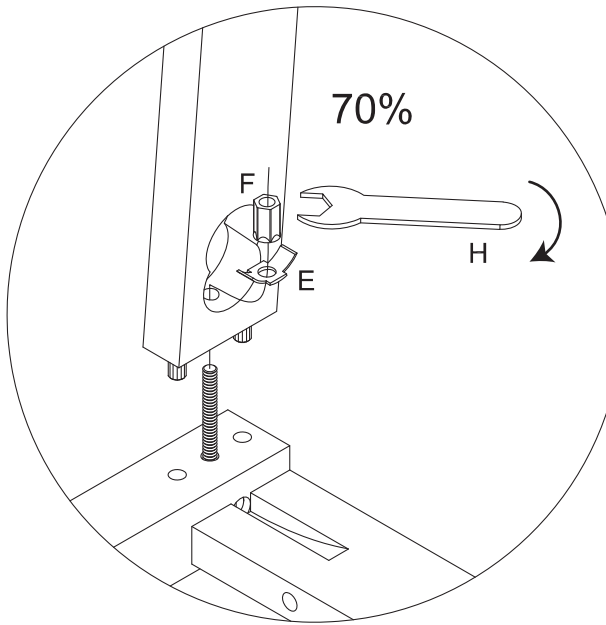
Ex2



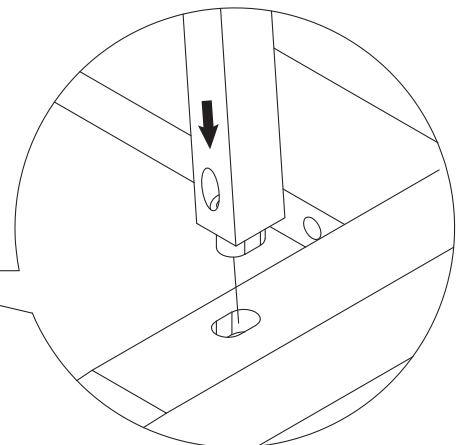
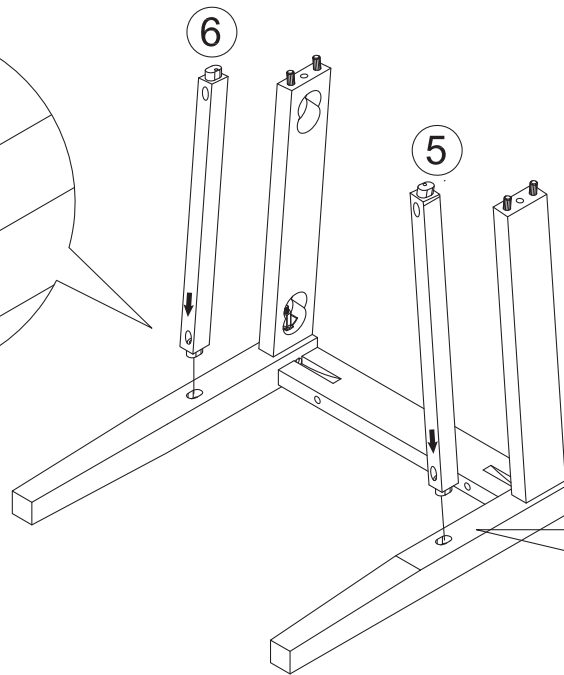
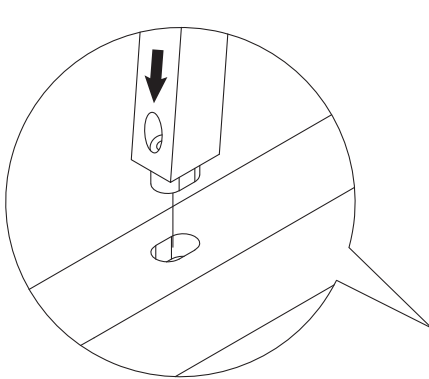
Hx1



Fx2



# 4

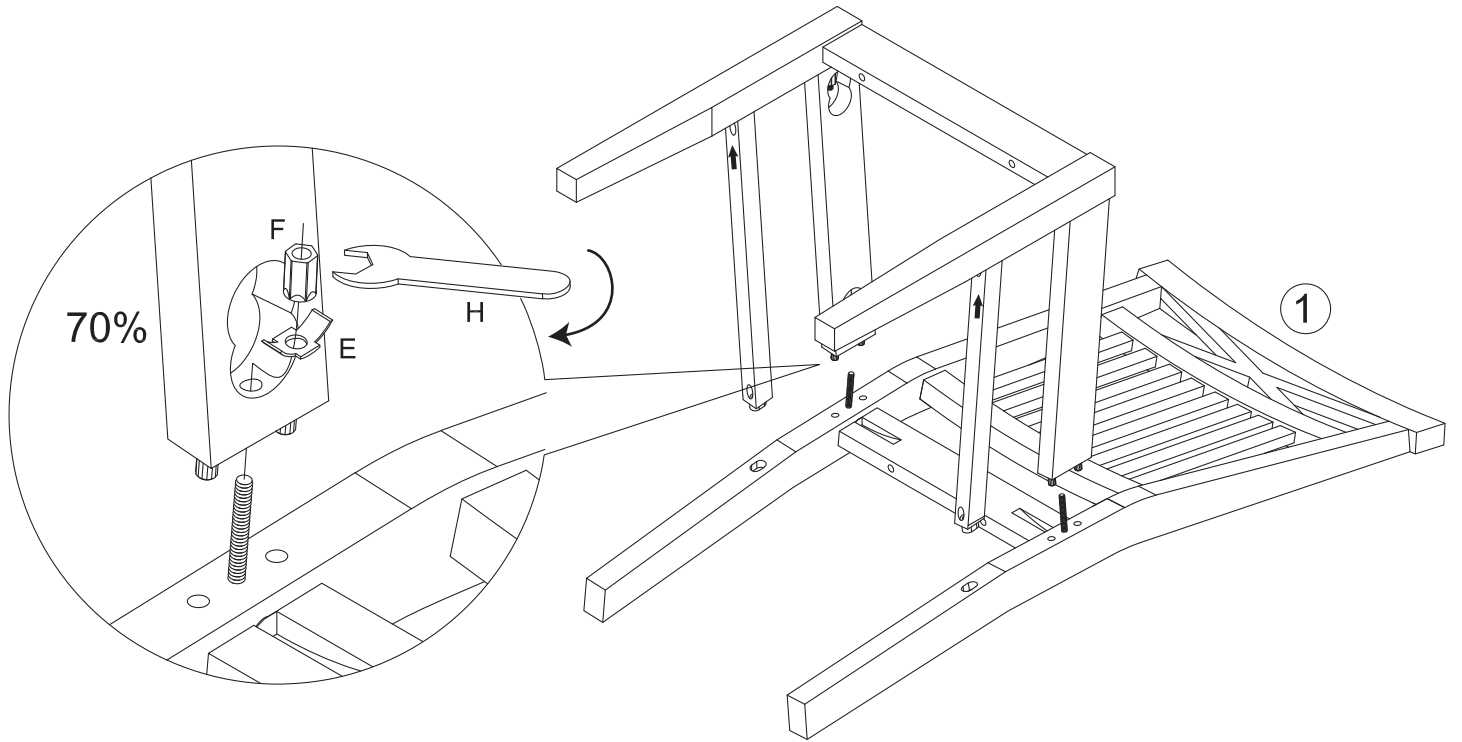


# 5

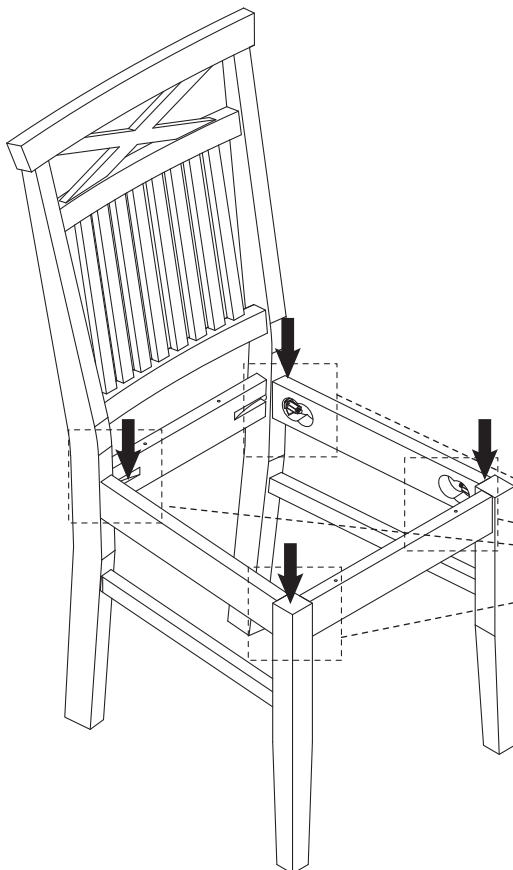
Ex2



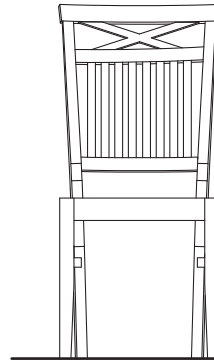
Fx2



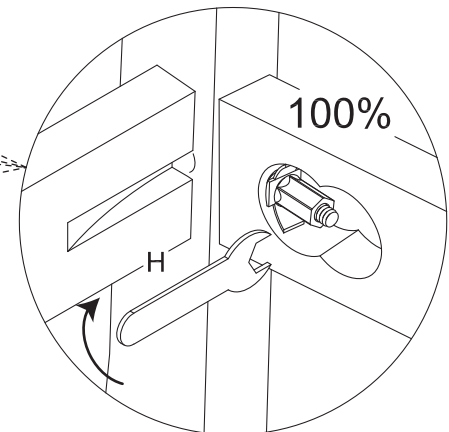
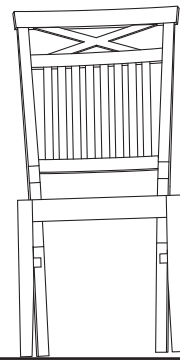
# 6



✓

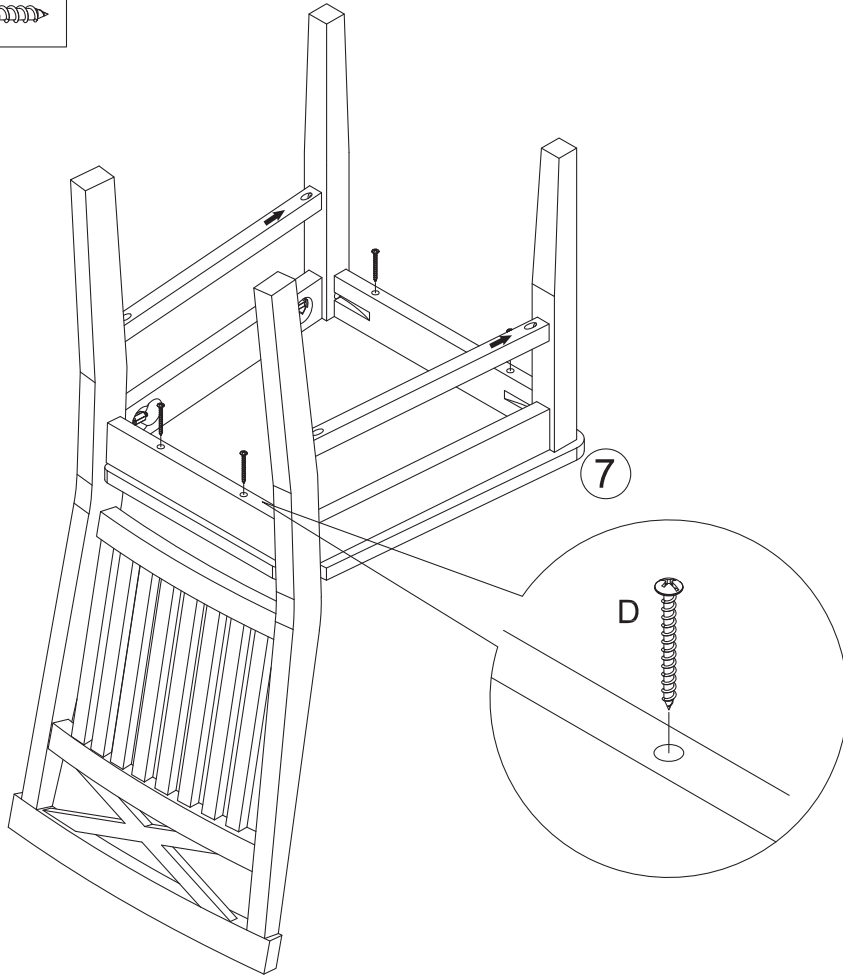


✗



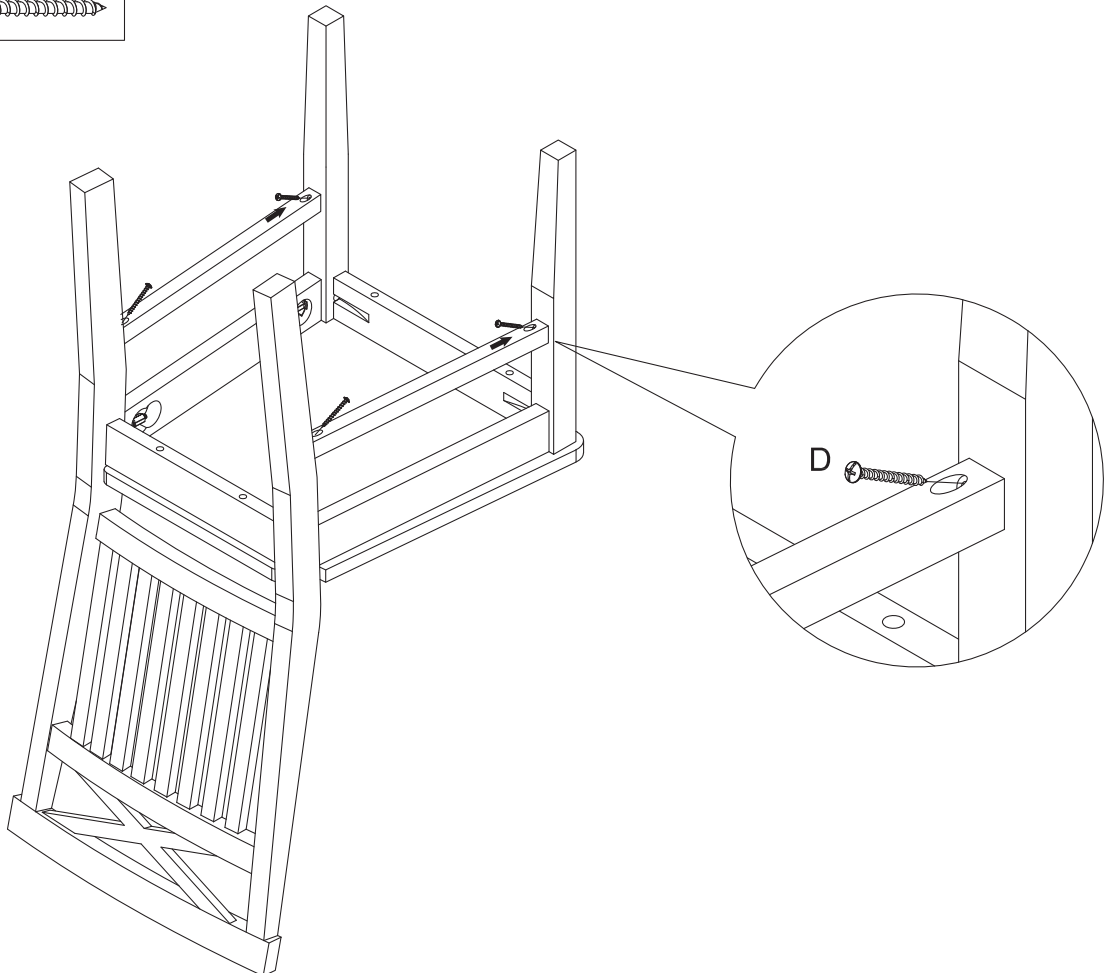
# 7

Dx4




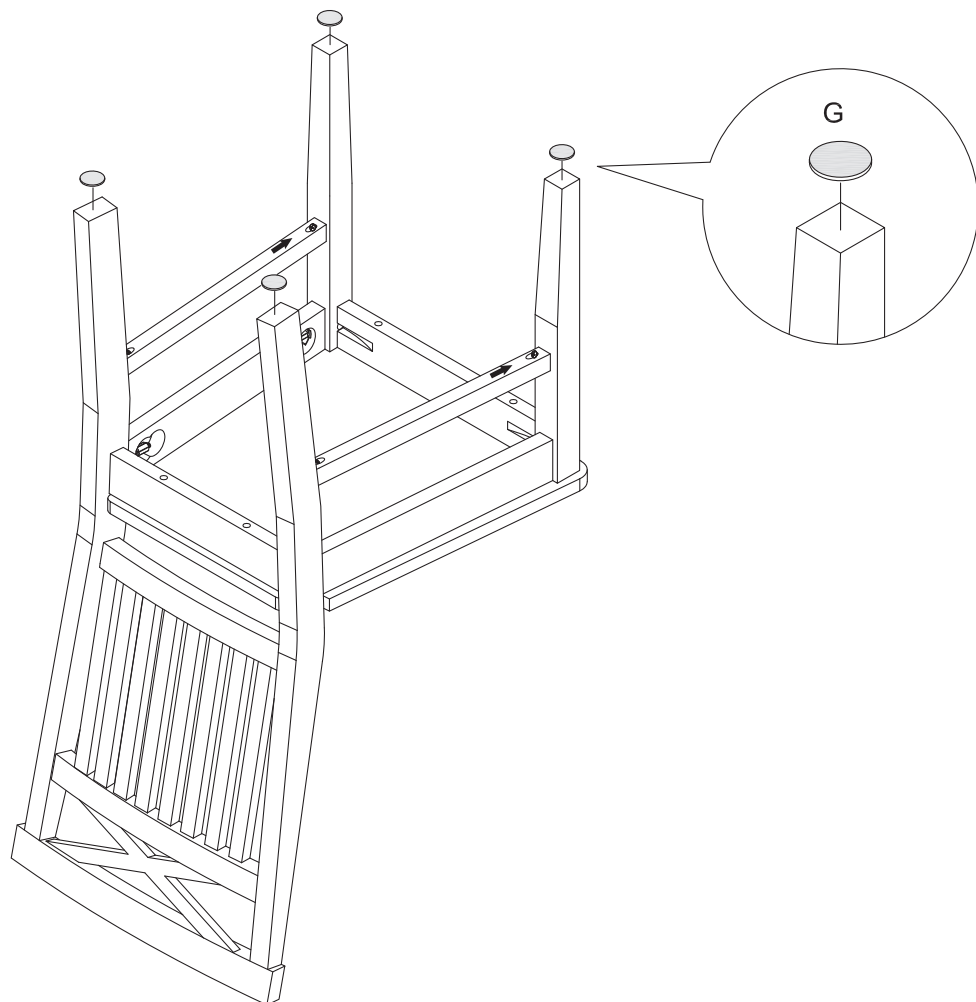
# 8

Dx4



# 9

Gx4 



# 10

